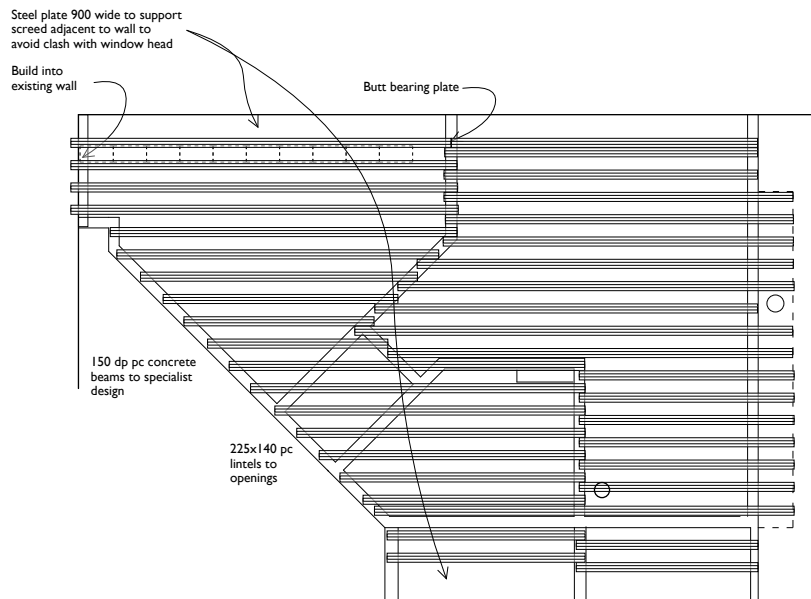
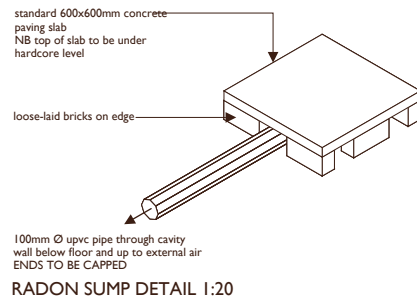
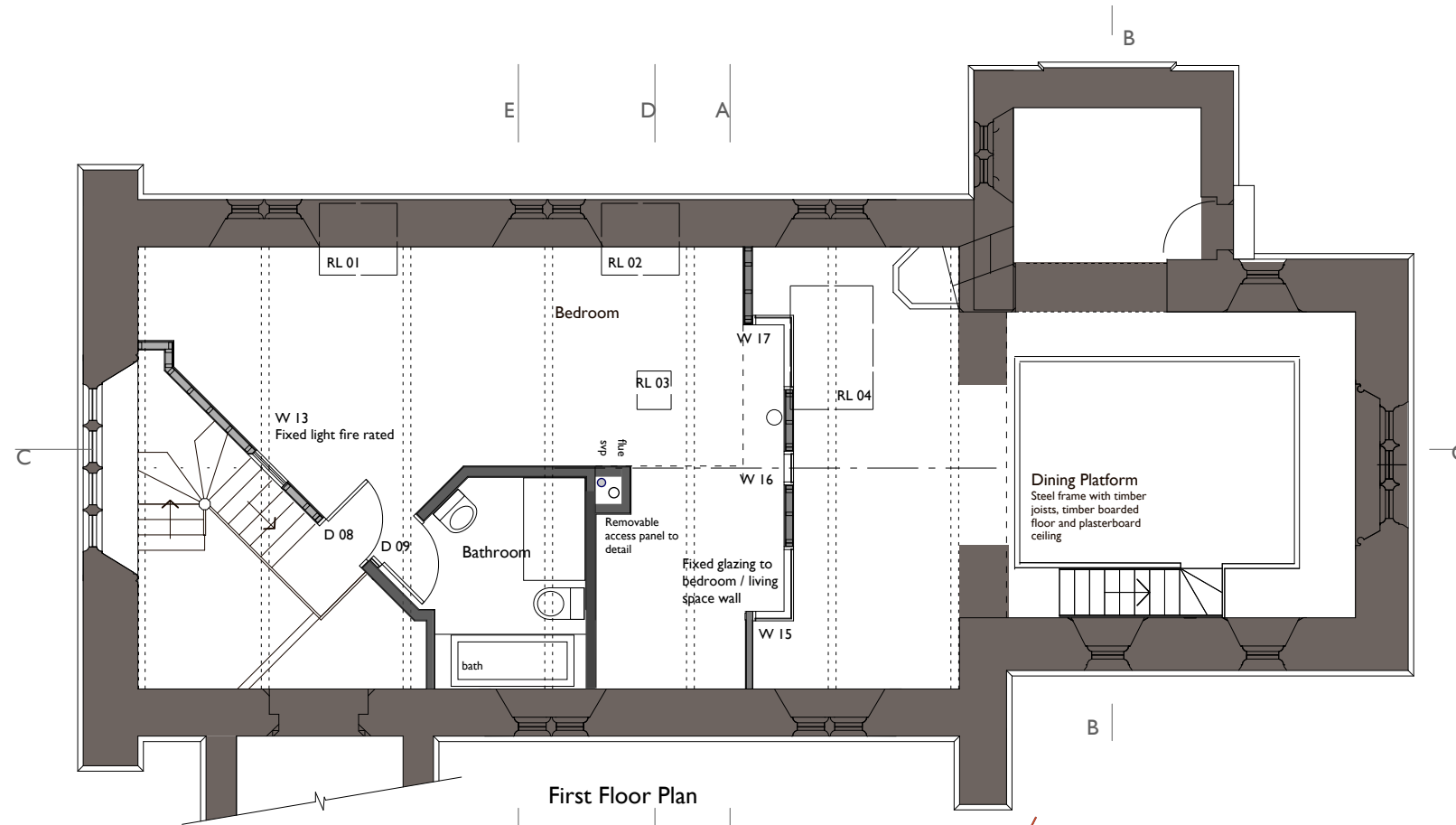


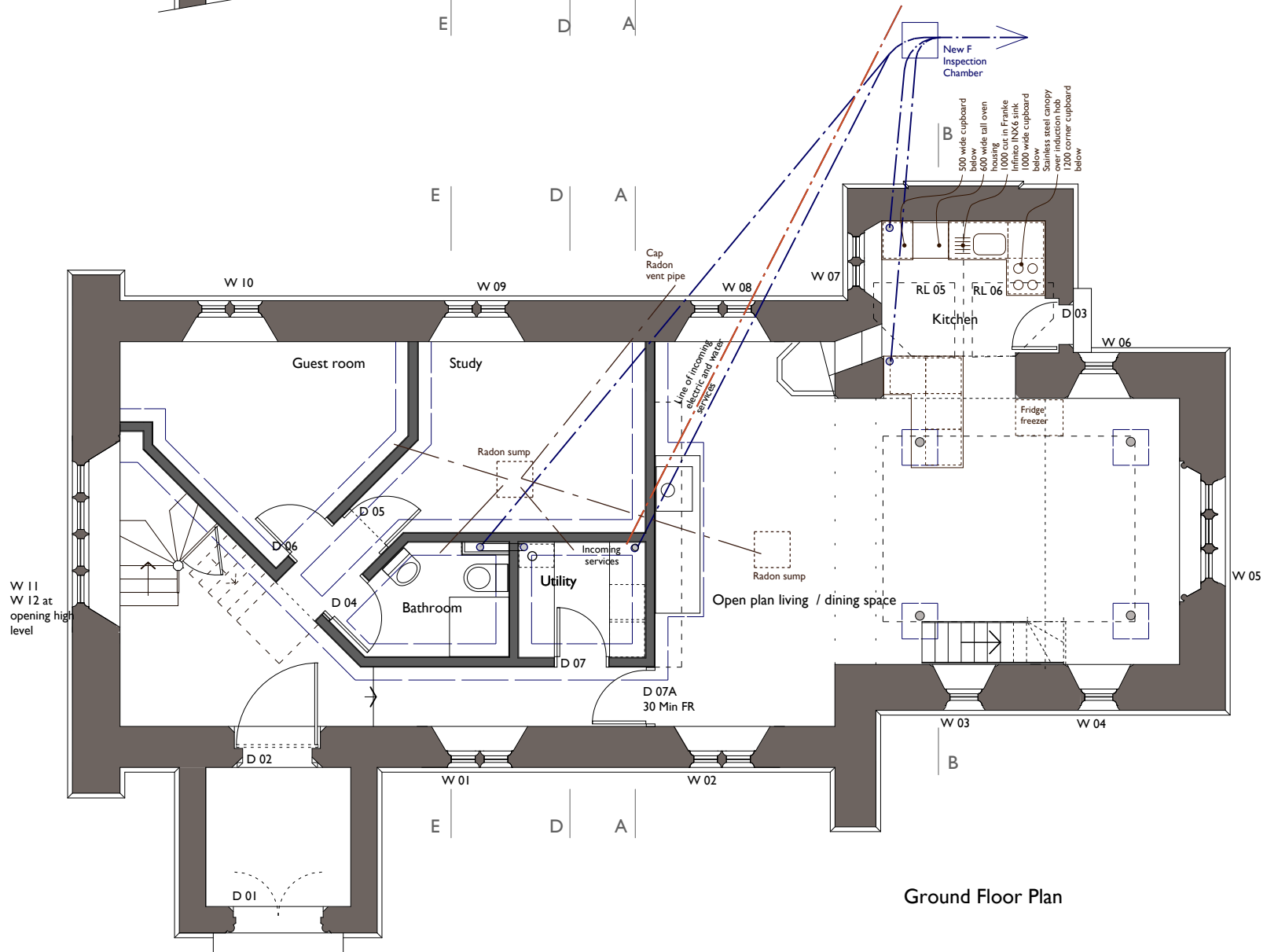
High Level Plan



First Floor - Beam & block floor layout




First Floor Plan



Ground Floor Plan

THIS DRAWING IS COPYRIGHT AND MAY NOT BE REPRODUCED WITHOUT PERMISSION. DO NOT SCALE OFF THIS DRAWING. ALL DIMENSIONS AND LEVELS ARE TO BE CHECKED ON SITE BY THE CONTRACTOR BEFORE COMMENCEMENT. DRAWINGS ISSUED ELECTRONICALLY MAY LOSE SOME DETAIL.

Notes  
St Pauls Church, Westwood, Devon - completed 1873, architect Edward Ashworth (1815 - 96), constructed in local purple volcanic stone with Bath limestone dressing. The chancel arch has carved corbels by Harry Hems (1842-1916) Exeter based firm of masons - see Pevsner Devon



Revision

A Design development 12/1/09  
B Design development 05/05/10  
C Further detail added 19/05/2010  
D Heat recovery layout simplified 26/08/2010  
E Boiler flue amended 29/03/2011  
F BC amendment 28/04/2011  
G Mech vent omitted 03/05/2011  
J General updates 07/06/2011  
K Bathroom / general updates 10/06/2011  
L Main stair amended 27/07/2011

Status  
**Construction**

Paul Perry Architect  
11 North Parade, Penzance, Cornwall, TR18 4SH 01736 350074

Project  
St Paul's Church, Westwood, Devon  
Stuart & Wendy Levens  
Proposed Plans

Scale  
1:50 - 1:100@A3  
Drawing number  
2003 - 10 - L  
May 2010